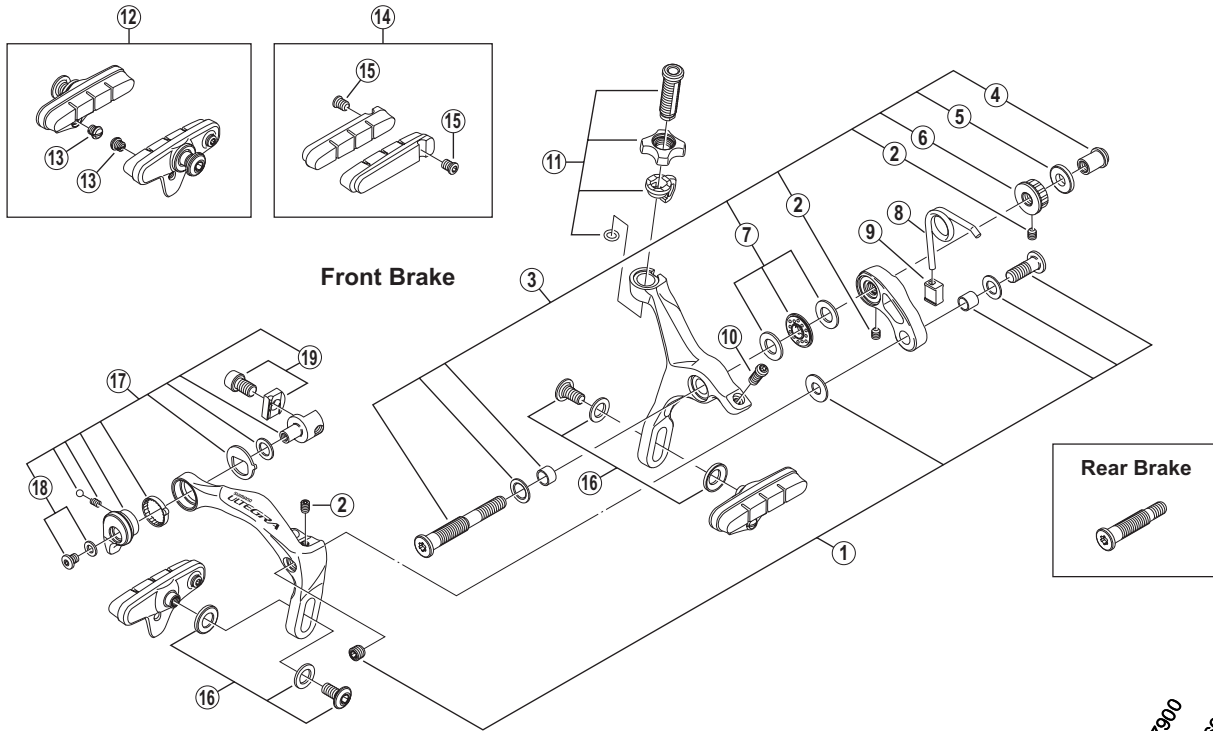


ULTEGRA Caliper Brake

BR-6700 Silver Version

BR-6700-G Glossy Grey Version



BR-7900
BR-6800
BR-5700

ITEM NO.	SHIMANO CODE NO.	DESCRIPTION	INTERCHANGEABILITY		
1	Y8G698010	Arm Bolt Unit (M6 x 17.5)			B
2	Y88414200	Set Bolt (M4)	B	A	
3	Y8G698020	Front Pivot Bolt Assembly {Pivot Bolt: 52.5 mm (2-1/16") / Pivot Nut: 10.5 mm}			
	Y8G698030	Front Pivot Bolt Assembly {Pivot Bolt: 52.5 mm (2-1/16") / Pivot Nut: 12.5 mm}			
	Y8G698040	Front Pivot Bolt Assembly {Pivot Bolt: 52.5 mm (2-1/16") / Pivot Nut: 18.0 mm}			
	Y8G698050	Front Pivot Bolt Assembly {Pivot Bolt: 52.5 mm (2-1/16") / Pivot Nut: 27.0 mm}			
	Y8G698110	Front Pivot Bolt Assembly {Pivot Bolt: 52.5 mm (2-1/16") / Pivot Nut: 32.0 mm}			
	Y8G698060	Rear Pivot Bolt Assembly {Pivot Bolt: 37.8 mm (1-1/2") / Pivot Nut: 10.5 mm}			
4	Y8G615000	Pivot Nut (10.5 mm) for Front/Rear			B
	Y8G615010	Pivot Nut (12.5 mm) for Front			B
	Y85574310	Pivot Nut (18.0 mm) for Front	A	B	B
	Y8A023200	Pivot Nut (27.0 mm) for Front	A	B	B
	Y8A023210	Pivot Nut (32.0 mm) for Front			
5	Y85850120	Spacer-R (2 mm)			B
6	Y8G608000	Lock Nut (M7)			
7	Y84B98050	Ball Retainer Unit (ø7)	A	A	A
8	Y8FN10000	Arm Spring	A		A
9	Y8G613000	Spring Bush			
10	Y8FA09000	EC-Bolt (M4 x 10.2)	A		
11	Y8G698120	Cable Adjusting Bolt Unit for Front			
* 12	Y8G698080	R55C3 Cartridge-Type Brake Shoe Set (Pair) for BR-6700	B	B	
	Y8G698130	R55C3 Cartridge-Type Brake Shoe Set (Pair) for BR-6700-G			
13	Y8FA16000	Tire Guide	A	A	
14	Y8FN98090	R55C3 Cartridge-Type Brake Shoes & Fixing Bolts (Pair)	A		A
	Y8FN98140	R55C3 Cartridge-Type Brake Shoes & Fixing Bolts (Pair) for Carbon Rim	A	A	
15	Y8FA17000	Fixing Bolt (M4 x 5.5)	A	A	A
16	Y8G698090	Shoe Fixing Bolt Unit (M5 x 11.2)	B	B	B
17	Y8G698100	Quick Release Assembly			
18	Y8FA98110	Quick Release Fixing Bolt (M4 x 4.8) & Washer	A		
19	Y8F598080	Cable Fixing Bolt (M6 x 8.5) & Plate			A

A: Same parts.

B: Parts are usable, but differ in materials, appearance, finish, size, etc.

Absence of mark indicates non-interchangeability.

Mar.-2011-2921C

© Shimano Inc. I

Specifications are subject to change without notice.

SHIMANO